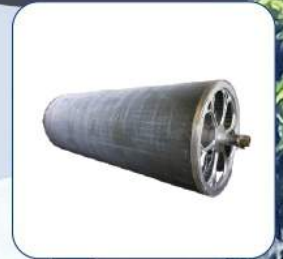




Amit

engineers

**SPECIALIZED IN
PULP & PAPER MILL MACHINERY
MANUFACTURING, SPARES,
ENGINEERING, FABRICATION,
ERECTION, DYNAMIC BALANCING
& TECHNICAL CONSULTATION.**



Amit
engineers
PLOT NO. 199/1/A, 2ND PHASE,
G.I.D.C., VAPI - 396 195.
DIST. VALSAD (GUJARAT)



READY TO TAKE YOUR DESIGN TO THE NEXT LEVEL



PROFILE

MR. AMIT SHAH (D.M.E., D.E.E., P.D.P.E.)

We have Mr. Amit Shah, a technocrat, started his career in 1989 with a small rented engineering workshop. He started with the activity of carrying out job work and gradually started taking growth by developing the paper mill machine equipments. Later on, as growth started taking place, he started taking projects for Dismantling and Erection of paper mills. The list includes many renowned paper mills of that time. As the time passed, he started taking the projects for manufacturing the full paper machine. He lives with a motto of providing best quality products He is the Managing Partner and takes care of corporate management. He has natural entrepreneurial instincts and overviews strategic initiatives at Amit Engineers.



MR. MOHANLAL SHAH

Mr. Mohanlal Shah, a commerce graduate and a partner at Amit Engineers. He is father of Mr. Amit Shah and Mr. Pratik Shah. He is backbone support for the success of AMIT ENGINEERS. He is involved in large number of social activities and continuously indulged in upliftment of the society.



DEDICATED DYNAMIC ENGINEERS

The team is determined to deliver innovative solutions to satisfy customer requirements and after sales.



ABOUT US

Amit Engineers is now comprised of more than 25 technically expert Technicians & staff of 5 certified Engineers, all of who owns an experience & technical know-how of Paper Machineries of years more than our Company's establishment and who are working with us since more than 25 years. We have provided a complete design with layout drawing for the entire project of various Duplex Board, Kraft Board, Kraft Paper, Tissue Paper & Newsprint Mills. We are well expertise in modification of any of the existing plant, for all capacity of the machine for increasing the production yield & decreasing power consumption with engineering perfection. Not only these much. we also provide new and advanced designed machinery with very low maintenance & power consumption with the perfect solution. Under the guidance of successful Paper Tech Engineers. Process Engineers as well as Mechanical & Production Engineers.



Our Mission

To Work Towards 'Customer Delight' By Harnessing Best-In-Class Talent, Creating A Knowledge Pool And Implementing Proven Processes To Become A Preferred Partner Of Our Clients.



Our Vision

To Be A Leading Global Design, Engineering & Consulting Organization, Providing Technology And Innovative Business Solutions To Our Clients.

WHY CHOOSE US

We serve the Indian paper industry with products that satisfy the customer requirements. The products that we manufacture are customized as per the requirements of customer to suite their machine. The equipment manufactured by us are as per engineering standards with high end accuracy. Moreover we have team of experienced technical personnel who are serving paper industry with vast experience of more than 40 years.





DR. BHAUTIK SHAH (B.E., M.B.A., PH.D.)

Dr. Bhautik Shah, a techno-commercial professional started career in the field of education as a professor and later joined the footsteps of father and practising to take the reins of the developed business to further take it to greater heights. He has good experience in computers, production and operation management and have a good marketing skills.



MR. BHAVIK SHAH (B.A.)

Mr. Bhavik Shah completed his Bachelors in Arts and now is the youngest in the firm who ambitiously leads his father's company. He aims to develop and lead the group with integrity, marketing and development. He loves to explore the world and learn the engineering progresses of paper industry & implement the changes for further growth.



Wire Part Section & Forming Equipments

Description :

It is designed for formation & drainage capacity optimization. We also provide Twin wire arrangements for Multi Layer and high GSM. All parts in contact with water or stock are made of S.S. and corrosion resistant materials.



Press Part

Description :

We offer to our clients a wide range of Press part that ideally finds application in paper industries. Our range of Press Part is manufactured using high grade raw material and the latest technology. This ensures unmatched quality and high utility to the clients. In order to ensure maximum client satisfaction.



Dryer Section Framings

Description :

Dryer framing design will be depend on mill speed, we are providing heavy duty MS framing. The MS framing will be specially designed and calculated for carrying load and suitable for absorb a vibrating stress.

Size Press with Size Kitchen

Description :

Usually the main role for applying the material is used to increase the surface strength of the paper web. Other benefits also includes reduced dusting tendency, increased stiffness and reduced air-permeability.

Size Press is designed as two rolls Press with Hydraulic or Pneumatic down Pressure system. Its press rolls are arranged horizontally where a movable Press roll is installed lower than the stationary one.



Calender Section

Description :

Paper machines have an extra smoothing process called a calendar, which is added to the dryer screen. The calendar consists of several rollers arranged vertically one upon the other. By running the almost dryer paper web between the rollers under high pressure, the paper is compacted and smooth. The finished paper web is wound upon a steel shaft (reel). The paper now contains 5 – 8% moisture content.



Pope Reel

Description :

Pope Reel is the first finishing device after paper machine. The paper roller is driven by its own weight and rotation of the cold cylinder. It can make paper from the paper machine into rolls with uniform tightness to meet the requirements of different kinds of paper.

Rewinder

Description :

The Rewinder is designed for precision slitting and rewinding hub having high speed winding drums and quality materials for slitters. It is equipped with pneumatic brake and arrangement for control of tension.





Cylinder Moulds



It is the heart of a Paper / Board machine. It controls stick flow, pick-up on the felt and is responsible for good single layer / multi layer formation and substance profile across the full web. It also contains S.S. Spiders with S.S. strip. It is also duly balanced. It is available in size diameter 1524mm, 1250mm.

Features :

Usually the main role for applying the material is used to increase the surface strength of the paper web. Other benefits also includes reduced dusting tendency, increased stiffness and reduced air-permeability.



Online Web Cleaning System

Principle :

It is a custom engineered vacuum system that is specifically designed to efficiently remove dirt, dust, lint, spray powder, loose paper particles and other contaminants from paper web on paper board machine after slitting station.

Extractor Press

Principle :

One of the basic principle of the extractor press says: is to squeeze out as much water as possible, where the wet fibre web passes between large rolls loaded under high pressure.

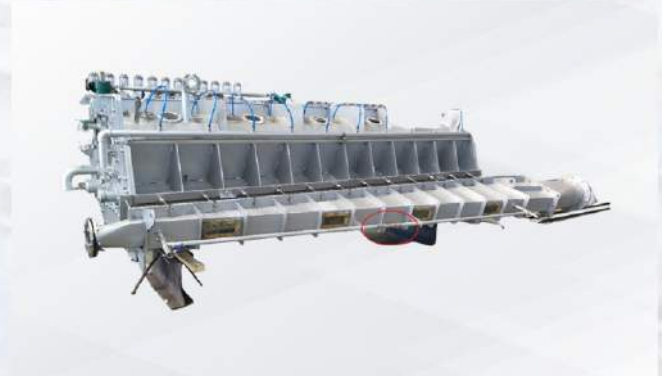




Head Box

Principle :

The Head Box consists of MS fabricated rectangular box with tapered tail end at the back side with Necessary stiffeners. The front side is provided with SS Spring steel top and bottom slice lips for pulp flow. The total slice lip gap is adjusted by means of two worm gear box units connected to a common hand wheel. For individual micro profile corrections a number of stud and fly nut arrangement is provided along the top lip. A partition plate which can be moved upwards or downwards by means of a screw and wheel arrangements is provided for maintaining the level of pulp in the head box. A SS 304 shower is provided from the top for foam killing. At the bottom portion of the tail end a SS evener roll is fitted which is driven by a chain and sprocket arrangement by means of a geared motor for avoiding slime formation and maintaining uniform distribution of flow. At the bottom cover of the tapered tailed end equal distance nozzles are provided for pulp in flow. These Nozzles are connected to the nozzles of a tapered SS manifold through flexible hose pipe. The whole head box is clad inside with SS 304 sheet to avoid corrosion and slime formation. A platform is mounted at the front of head box for easy operating of slice.



Auto Guides



Felt Stretcher



Pulp Mill



D – Type Hydro Pulper

Principle :

D Type Hydro Pulper operates at low consistency is ideally suited for brown grade applications. The most integrated and modular concept for coarse contaminant removal at low and medium consistency with the Hydra Purge, Junk Trap, Drum Screen and D Type Slusher Vat.



ATS Pulper

Technical Specifications :

The Pulper consists of MS cylindrical shell welded to end cones on either side supported by fabricated legs. On one side of the Pulper, there is a half round sturdy MS base which in turn will be fixed on the foundation.

Centri-Cleaners

Effective removal of sand, unbeaten paper chips, Hard cooked fibers and other non fibrous heavy materials. Low fiber rejection. Low Pressure drop. Available in 300LPM, 500LPM, 750LPM and 1000 LPM throughput.



High Density Cleaners

This cleaner is designed to remove any staples, clips, and other debris from stock & keeping the consistency of 2 to 3 % in doing so, it protects the rotating parts of refiners, deflakes and other downstream equipments against excessive wear and breakage.

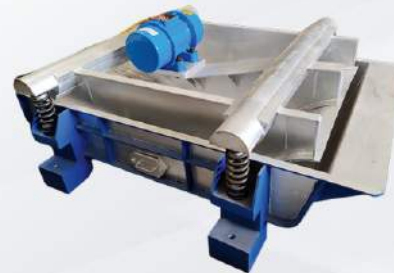
Range: 500 LPM, 1000 LPM, 2000 LPM, 2500 LPM, 3000 LPM, 4000 LPM.



Thickener With VAT Turbo Separator



Stock Chest Agitator Vibrating Screen



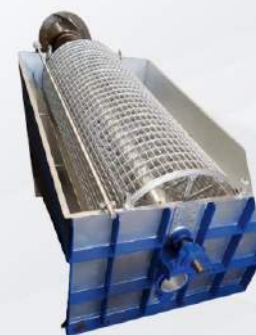
Hi-Flo Thickener

Principle :

The new HI-FLO Thickener is altogether different from conventional thickener with perforated plate or with spiral wire winding on drum face. As the name goes the HI-FLO Thickener has been especially designed to have an open area of practically 200% more of the conventional thickener of same size. Open area of conventional thickener (with perforated plate) is approximately 40% while in HI-FLO thickener, effective open area is 85%.

The net benefits are more-output @ higher consistency. And; it means

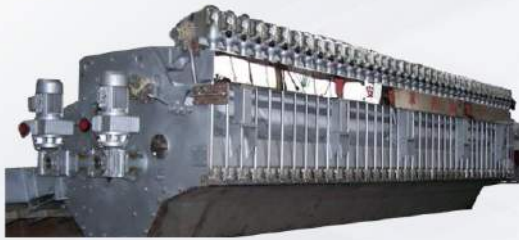
- More Production / Output
- Saving Pulp Section running hours.
- Saving Power



Authorized Dealer



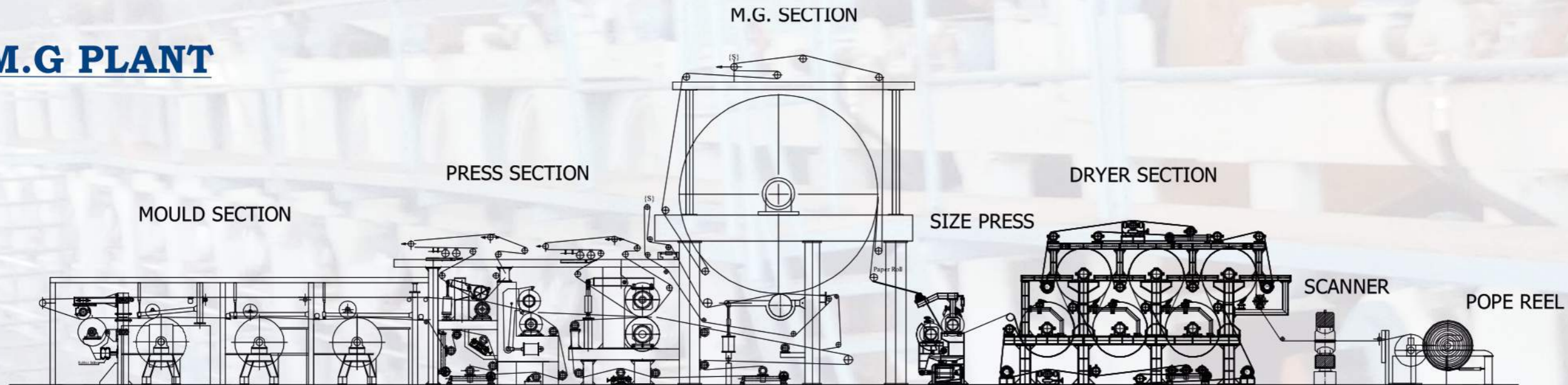
We are authorized dealer for imported ceramic dewatering elements, pressurized headbox, dandy roll, Granite roll, slitter rewinder and other Pulp and Paper mill machinery as well as spares.



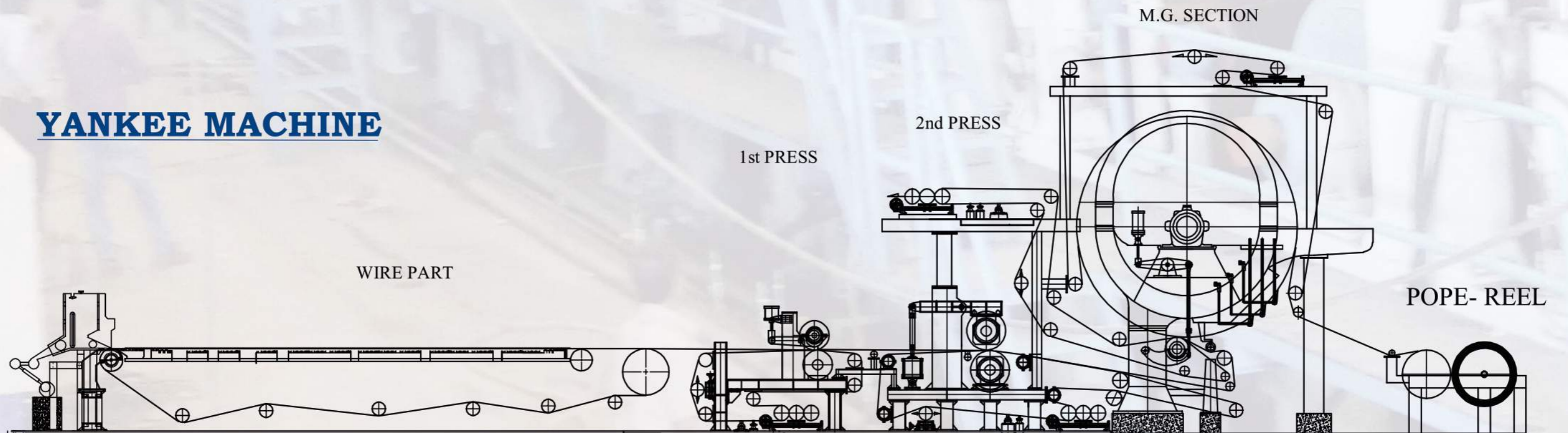
LAYOUT PLAN



M.G PLANT



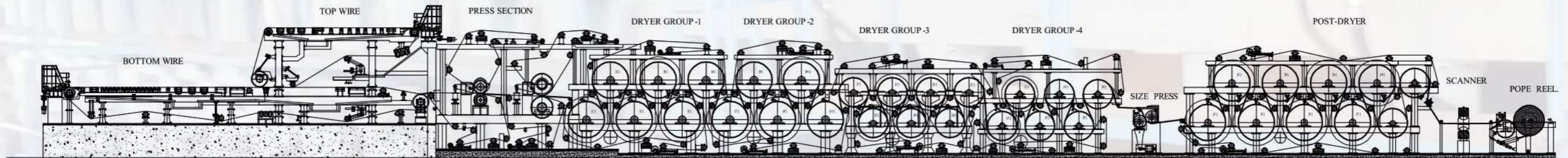
YANKEE MACHINE



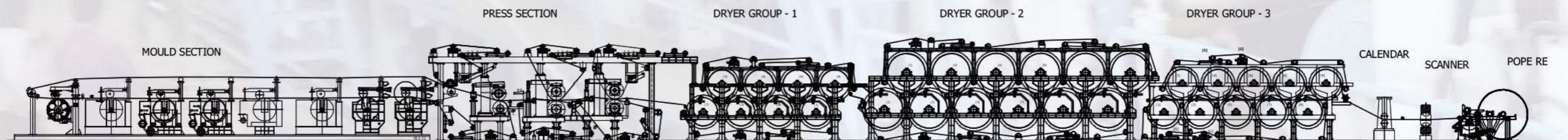
LAYOUT PLAN



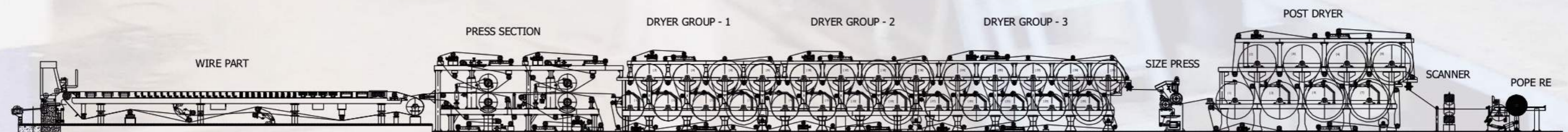
MULTI WIRE M.F. MACHINE



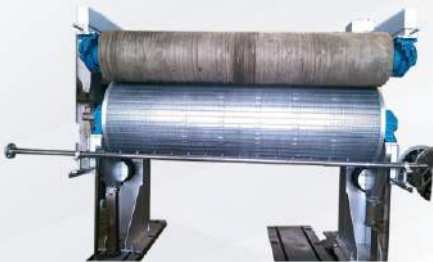
MULTI MOULD MACHINE



SINGLE WIRE M.F. MACHINE



OUR PRODUCTS



OUR MACHINE



CLIENTS



N. R. AGARWAL GROUP OF INDUSTRIES LTD.	VAPI
SBS PAPER BOARDS PVT. LTD.	RAJAHMUNDRY
EVERSHINE PAPER MILL.	LUDHIANA
SUPER DELUXE PAPER MILLS PVT. LTD.	VAPI
WEST COAST PAPER MILLS LTD.	DANDELI
PROMPT PULP & FIBERS PVT. LTD.	HYDERABAD
GAYATRISHAKTI PAPER & BOARDS LTD.	VAPI
ANS PAPER MILLS PVT. LTD.	BANGALORE
KAYGAON PAPER MILLS LTD.	AURANGABAD
ARYAN PAPER MILLS PVT. LTD.	VAPI
KHANNA PAPER MILLS LTD.	AMRITSAR
BANGANGA PAPER MILLS.	NASHIK
KHERANI PAPER MILLS PVT. LTD.,	VAPI
REMCO PAPER & BOARD INDUSTRIES LTD.	VAPI
KRISHNA TISSUES PVT. LTD.	KOLKATA
VENKRAFT PAPER MILLS PVT. LTD.	HOSUR
LAXMI BOARD & PAPER MILLS PVT. LTD.	KALYAN
WINGS PAPER & BOARD MILLS PVT. LTD.	HYDERABAD
DAMANGANGA BOARD MILLS PVT. LTD.	VAPI

CLIENTS



PAPER PACKAGING PVT. LTD.	SHIVAMOGGA
VINDHYA PAPERS.	INDORE
REVIVAL PAPERS MILL PVT. LTD.	VAPI
SABARMATI PAPERS PVT. LTD.	AHMEDABAD
TULSI PAPER MILLS PVT. LTD.	VAPI
JINESH INDUSTRIES.	INDORE
SHREE GAJANAN PAPER & BOARDS PVT. LTD.	VAPI
K. B. BOARD MILLS LLP.	NAGPUR
SIDDHARTH PAPERS LTD.	KASHIPUR
VOLTA IMPEX PVT. LTD.	EAST GODAVARI
SOHAM PAPERS PVT. LTD.	MORBI
SHREE SOMNATH PAPER MILLS PVT. LTD.	KOLHAPUR
SPENTO PAPERS (INDIA) LLP.	MORBI
SAMPADA PAPER INDUSTRIES PVT. LTD.	SANGLI
SUPREME KRAFT PVT. LTD.	VAPI
MILLENIUM PAPERS PVT. LTD.	MORBI
THREE M PAPER MANUFACTURING CO. PVT. LTD.	CHIPLUN
SUDARSHAN PAPER & PRODUCTS.	JALGAON
TIRTHAK PAPER MILL PVT. LTD.	MORBI

TAKE A LEAP WITH US / WRITE A JOURNEY WITH US.....



As we at Amit Engineering excels at providing total customer satisfaction by supplying products and services of superior quality.



Office & Works

 M/S. AMIT ENGINEERS
Plot no. 199/1/A/1, II Phase,
G.I.D.C, Vapi - 396195.
District - Valsad, State - Gujarat,
Country - India.
 +91 - 260 - 242 0232

 amitengineers89@gmail.com
 www.amitengg.com
 +91 - 992 412 6248
 +91 - 982 442 6248
 +91 - 709 602 6248